

LUMI SPOT 80



Track mounted, adjustable spotlight with lens or reflector optics. Top quality COB LED module with colour consistency MacAdams ≤ 3 , extensive portfolio of lumen ranges, CCTs and spectra. Variety of track adaptor integrated drivers: standard EVG on/off, DALI and wireless controlled as MasterConnect or Casambi on request. Remote, wireless occupancy & daylight sensor available to allow significant energy savings and wireless connectivity. Mounting on universal track systems: Global / Unipro. Track adaptor for any other type of track system on request. Body is made of aluminium and steel. Standard colour RAL 9005S, any other colour from basic RAL range available at no extra cost. Variety of optics, lumen outputs and drivers allows to use this luminaire in different types of lighting projects. Spot lamp is also available with surface mounted or recessed ceiling base for mounting without track system. Wide range of accessories such as honeycomb louver or barndoor shades available on request.

Luminous flux & Luminaire Power tolerance up to 10%. System power consumption depends on components used. Luminous efficacy depends on type of LED's, electronics, optics and diffuser. The most up to date technical parameters can be found on our website and in database of LDT files.

Lighting direction



PDF datasheet:



LUMI SPOT 80

| | |
|-------------------------------------|---|
| Mounting: | Track mounted / ceiling mounted |
| Body material: | Steel and aluminium |
| Colour: | Standard black RAL 9005S, other RAL colours on request |
| Lumen output: | Standard up to 3600 lm, any other on request |
| LED module: | Signify (Philips), Tridonic or equivalent COB LED modules |
| Colour temperature: | 2700/3000/4000K, other on request |
| Colour Rendering: | CRI>80 in standard, other on request |
| Driver: | EVG on-off/DALI/MC (MasterConnect)/Casambi, other on request |
| Wireless control: | Philips MasterConnect / Casambi, other on request |
| Daylight/Occupancy sensor: | Wireless MCS sensor |
| Emergency unit: | N/A |
| Operating temperature range: | 0°C ... +35°C |
| IP Class: | IP20 in standard |
| Power: | 220-240V 50/60Hz |
| Lighting direction: | Direct, adjustable |
| Light distribution: | Symmetric |
| Optics: | Lens / Reflector |
| Beam angle: | Lens 14°/35°/55° and 10°/12° with extra TB shade / Reflector 16°, 24°, 36°, 54° |
| Warranty: | 5 Years standard warranty |

- LUMI SPOT 80** track luminaire
- LUMI SPOT 80 L** track luminaire / long tube
- LUMI SPOT_LNS 80** track luminaire / lens
- LUMI SPOT_LNS 80 L** track luminaire / lens, long tube

All current index numbers, lumen outputs, power consumption and many other technical information are available in our 2024 pricelist. Details on wireless lighting control systems on page number 896.



HCB honeycomb louver



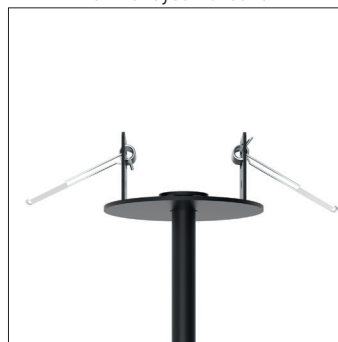
LP long mounting pipe 500 mm



- Zigbee
- Bluetooth



BDS barn doors shades



CRB ceiling recessed base



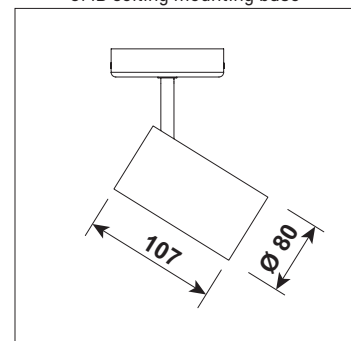
CMB ceiling mounting base



MCS wireless daylight&occ sensor



XCS wireless switch



Basic dimensions